

SALES & ENGINEERING DATA

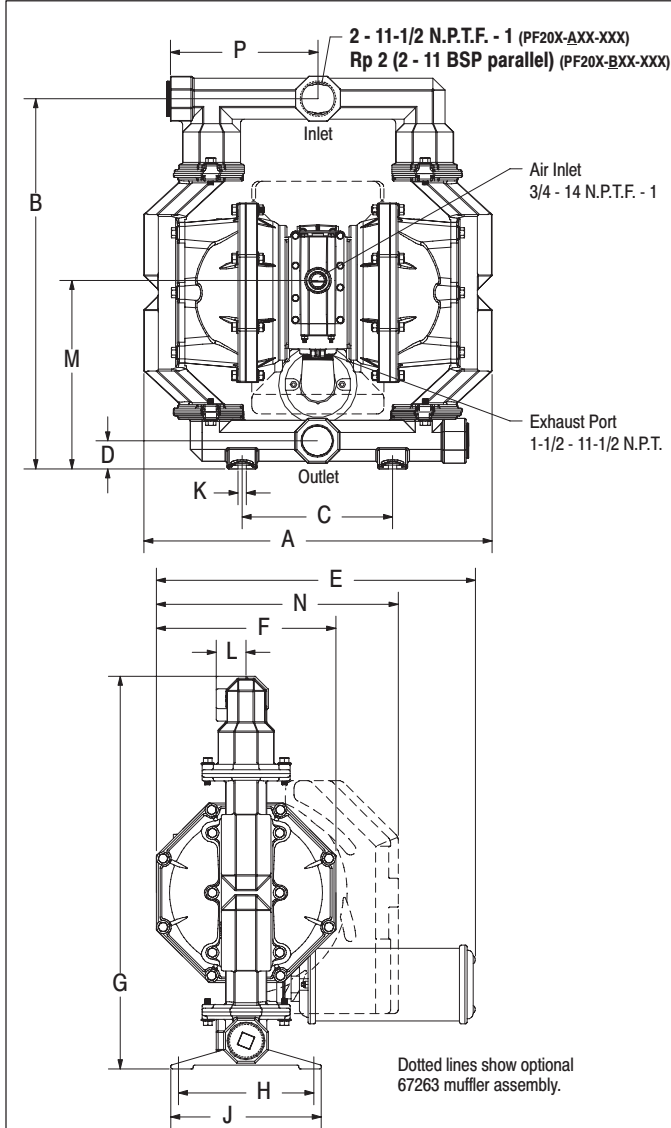
RATIO SERIES: **1:1**

FLUID P.S.I. RANGE: **20 - 120**

PF20X-XXX-XXX 2" METALLIC FLAP VALVE DIAPHRAGM PUMP

RELEASED: 3-19-04
REVISED: (REV. 01)
S-1322

DIMENSIONAL DATA



DIMENSIONS

A - 23-9/32" (591.3 mm)	F - 12" (304.8 mm)	L - see below
B - 24-3/4" (628.7 mm)	G - 26-1/4" (666.8 mm)	M - see below
C - 10-1/16" (255.6 mm)	H - 9-1/16" (230.2 mm)	N - 16-3/16" (410.8 mm)
D - see below	J - 10-1/16" (255.6 mm)	P - see below
E - 21-11/32" (541.9 mm)	K - 9/16" (14.3 mm)	

	PF20X-XCX-XXX	PF20X-XSX-XXX
D -	1-7/8" (47.6 mm)	2-1/2" (63.5 mm)
L -	2" (50.8 mm)	2-3/32" (53.0 mm)
M -	12-19/32" (319.9 mm)	13-1/4" (336.6 mm)
P -	9-7/8" (250.7 mm)	-----

NOTE: Dimensions are shown in inches and (mm), supplied for reference only and are typically rounded up to the nearest 1/16 inch.

SPECIFICATIONS

CONSTRUCTION

Model Series	PF20R-XXX-SXX
	PF20Y-XXX-SXX
Pump Type	Metallic, Air Operated, Flap Valve, Double Diaphragm
Ratio	1:1
Material Inlet / Outlet (female)	
PF20X- A XX-SXX	2 - 11-1/2 N.P.T.F. - 1
PF20X-BXX-SXX	Rp 2 (2 - 11 BSP parallel)
Air Inlet (female)	3/4 - 14 N.P.T.F. - 1
Air Exhaust (female)	1-1/2 - 11-1/2 N.P.T.F. - 1
Weight	
PF20X-XCX-SXX	193 lbs (87.5 kgs)
PF20X-XSX-SXX	185 lbs (83.9 kgs)
Air Section Service Kit	637369
Fluid Section Service Kit	637310-XX

PF20X-XXX-S
637310 -
Diaphragm Material
Flap Material

EXAMPLE: Model # PF20Y-ACP-SAA
Fluid Section Service Kit is 637310-AA

PERFORMANCE

Air Inlet Pressure Range	20 - 120 p.s.i. (1.4 - 8.3 bar)
Maximum Material Inlet Pressure	10 p.s.i. (0.69 bar)
Fluid Pressure Range	20 - 120 p.s.i. (1.4 - 8.3 bar)
Maximum Flow Rate (flooded inlet)	170 g.p.m. (643.5 l.p.m.)
Displacement / Cycle @ 100 p.s.i.	1.4 gal. (5.3 lit.)
Maximum Particle Size	2" dia. (50 mm) semi-solids
Maximum Temperature Limits (Diaphragm / Flap / Bumper material)	
E.P.R. / EPDM	-60° - 280° F (-51° - 138° C)
Nitrile	10° - 180° F (-12° - 82° C)
Polyurethane	10° - 150° F (-12° - 66° C)
Santoprene	-40° - 225° F (-40° - 107° C)
T.F.E. (Teflon)	40° - 225° F (4° - 107° C)
Viton	-40° - 350° F (-40° - 177° C)
Noise Level @ 70 p.s.i. - 60 c.p.m. ①	85.0 db(A)②

① Tested with 67263 muffler assembly installed.

② The pump sound pressure level has been updated to an Equivalent Continuous Sound Level (L_{Aeq}) to meet the intent of ANSI S1. 13-1971, CAGI-PNEUROPS S5.1 using four microphone locations.

ACCESSORIES:

66473 Air Line Connection Kit
67263 Continuous Muffler Assembly
94117 Int. Muffler

PERFORMANCE CURVES

PF20X-XXX-XXX 2" METALLIC FLAP VALVE DIAPHRAGM PUMP

