

SALES & ENGINEERING DATA

RATIO SERIES: **1:1**

FLUID P.S.I. RANGE: **20 - 120**

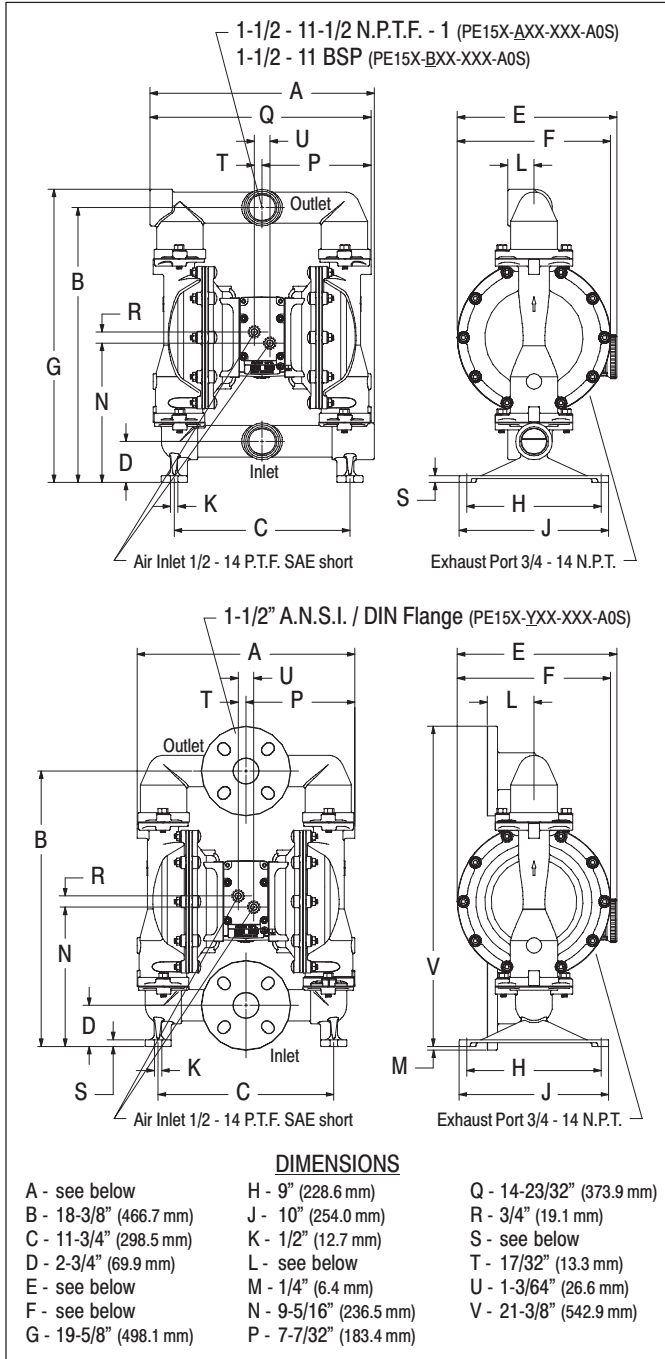
RELEASED: 9-24-04

REVISED: 3-10-05

(REV. 02) S-1324

PE15X-XXX-XXX-A0S 1-1/2" METALLIC DIAPHRAGM PUMP

DIMENSIONAL DATA



SPECIFICATIONS

CONSTRUCTION

Model Series PE15X-XXX-XXX-A0S
Pump Type Metallic, Air Operated, Double Diaphragm
Ratio 1:1
Material Inlet / Outlet (female)
 PE15X-AXX-XXX-A0S ... 1-1/2 - 11-1/2 N.P.T.F. - 1
 PE15X-BXX-XXX-A0S ... 1-1/2 - 11 BSP
 PE15X-YXX-XXX-A0S ... 1-1/2" A.N.S.I. / DIN Flange
Air Inlet (female) 1/2 - 14 P.T.F. SAE Short
Air Exhaust (female) 3/4 - 14 N.P.T.
Weight .. PE15R-XAX-XXX-A0S ... 33.47 lbs (15.18 kgs)
 PE15R-XCX-XXX-A0S ... 72.77 lbs (33.01 kgs)
 PE15R-XHX-XXX-A0S ... 86.47 lbs (39.22 kgs)
 PE15R-XSX-XXX-A0S ... 60.77 lbs (27.57 kgs)
 add 0.22 lbs (0.10 kg) for Aluminum air motor section
 add 15.59 lbs (7.07 kg) for stainless steel air motor section
Air Section Service Kit 637413
Fluid Section Service Kit 637375-XX

PE15X-XXX-X [X] [X] -A0S
637375 - [X] [X]
 Diaphragm Material
 Ball Material

EXAMPLE: Model # PE15A-ASP-SAA-A0S
 Fluid Section Service Kit is 637375-AA

PERFORMANCE

Air Inlet Pressure Range 20 - 120 p.s.i. (1.4 - 8.3 bar)
Maximum Material Inlet Pressure .. 10 p.s.i. (0.69 bar)
Fluid Pressure Range 20 - 120 p.s.i. (1.4 - 8.3 bar)
Maximum Flow Rate (flooded inlet) ... 123 g.p.m. (465.6 l.p.m.)
Displacement / Cycle @ 100 p.s.i. . 0.617 gal. (2.34 lit.)
Maximum Particle Size 1/4" dia. (6.4 mm)
Maximum Temperature Limits (diaphragm / ball / seal material)
 E.P.R. / EPDM -60° to 280° F (-51° to 138° C)
 Hytrel -20° to 150° F (-29° to 66° C)
 Nitrile 10° to 180° F (-12° to 82° C)
 Polypropylene 35° to 150° F (2° to 66° C)
 Santoprene -40° to 225° F (-40° to 107° C)
 T.F.E. (Teflon) 40° to 225° F (4° to 107° C)
 Viton -40° to 350° F (-40° to 177° C)
Noise Level @ 70 p.s.i. - 60 c.p.m. . 82.8 db(A)^①

① The pump sound pressure level has been updated to an Equivalent Continuous Sound Level (L_{Aeq}) to meet the intent of ANSI S1. 13-1971, CAGI-PNEUROPS S5.1 using four microphone locations.

	"A"	"L"	"S"	"E"	"F"
PE15X- <u>XAX</u>	14-13/16" (376.2 mm)	1-3/4" (44.5 mm)	1/2" (12.7 mm)	PE15 <u>A</u> -X-X-A0S 10-3/4" (273.1 mm)	10-1/4" (260.4 mm)
PE15X- <u>XCX</u>	15" (381.0 mm)	1-3/4" (44.5 mm)	1/4" (6.4 mm)	PE15 <u>R</u> -X-X-A0S 10-7/8" (276.3 mm)	10-1/2" (266.7 mm)
PE15X- <u>XHX</u>	14-15/32" (367.5 mm)	3-1/8" (79.4 mm)	15/32" (11.4 mm)	PE15 <u>S</u> -X-X-A0S 10-3/4" (273.1 mm)	10-1/4" (260.4 mm)
PE15X- <u>ASX</u> , <u>BSX</u>	15" (381.0 mm)	1-3/4" (44.5 mm)	15/32" (11.4 mm)		
PE15X- <u>YSX</u>	14-15/32" (367.5 mm)	3-1/8" (79.4 mm)	15/32" (11.4 mm)		

NOTE: Dimensions are shown in inches and (mm), supplied for reference only and are typically rounded up to the nearest 1/16 inch.

INGERSOLL-RAND COMPANY
 P.O. BOX 151 • ONE ARO CENTER • BRYAN, OHIO 43506-0151

☎ (800) 276-4658 • FAX (800) 266-7016 ©2005 CCN 15214240



PERFORMANCE CURVES

PE15X-XXX-XXX-A0S 1-1/2" METALLIC DIAPHRAGM PUMP

