

SALES & ENGINEERING DATA

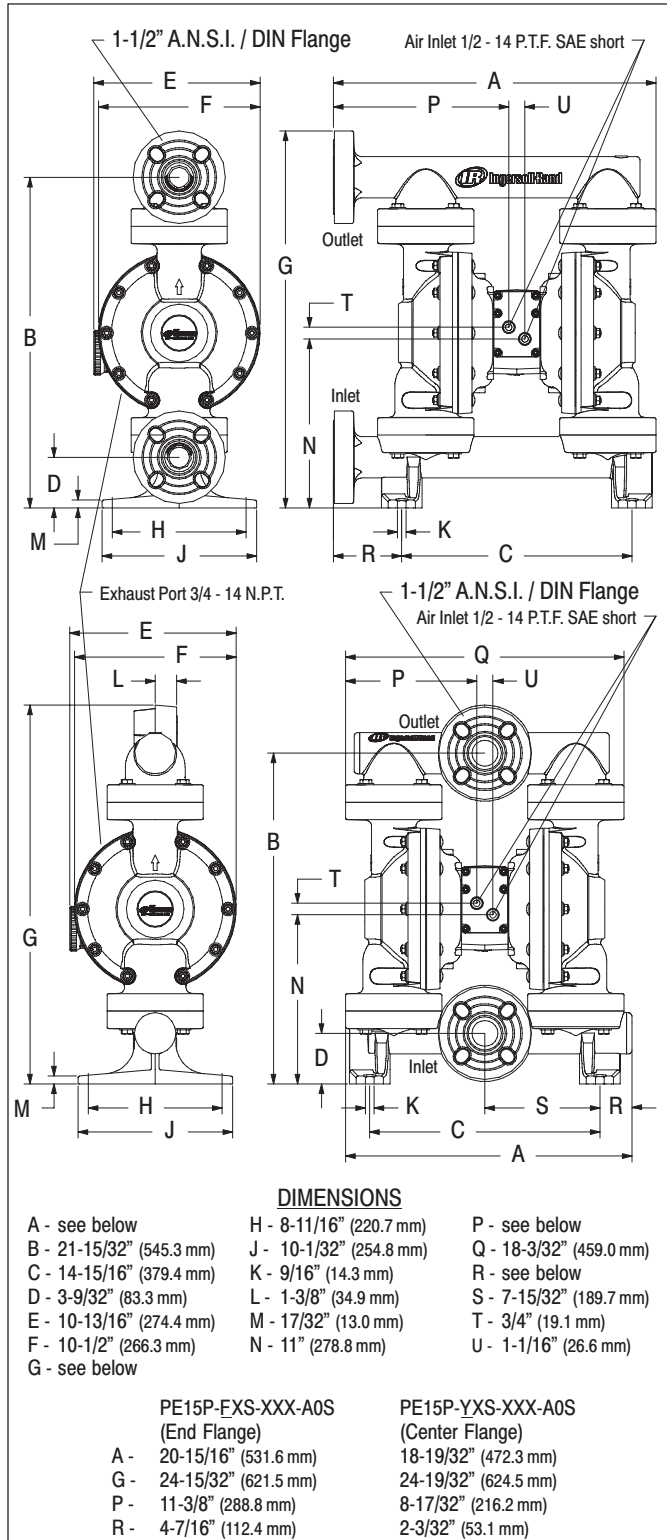
RATIO SERIES: **1:1**

FLUID P.S.I. RANGE: **20 - 120**

RELEASED: 9-23-04
 REVISED: 3-8-05
 (REV. 02) S-1326

PE15P-XXS-XXX-A0S 1-1/2" NON-METALLIC DIAPHRAGM PUMP

DIMENSIONAL DATA



SPECIFICATIONS

CONSTRUCTION

Model Series	PE15P-XXS-XXX-A0S
Pump Type	Non-Metallic, Air Operated, Double Diaphragm
Ratio	1:1
Material Inlet / Outlet	1-1/2" A.N.S.I. / DIN Flange
Air Inlet (female)	1/2 - 14 P.T.F. SAE Short
Air Exhaust (female)	3/4 - 14 N.P.T.
Weight	PE15P-FKS-XXX-A0S ... 63.51 lbs (28.81 kgs) PE15P-FPS-XXX-A0S ... 42.17 lbs (19.13 kgs) PE15P-YKS-XXX-A0S ... 55.51 lbs (25.18 kgs) PE15P-YPS-XXX-A0S ... 41.87 lbs (18.99 kgs)
Air Section Service Kit	637413
Fluid Section Service Kit	637391-XX

PE15P-XXS-X -A0S
637391 -

Diaphragm Material
 Ball Material

EXAMPLE: Model # PE15P-FPS-PAA-A0S
 Fluid Section Service Kit is 637391-AA

PERFORMANCE

Air Inlet Pressure Range	20 - 120 p.s.i. (1.4 - 8.3 bar)
Maximum Material Inlet Pressure	10 p.s.i. (0.69 bar)
Fluid Pressure Range	20 - 120 p.s.i. (1.4 - 8.3 bar)
Maximum Flow Rate (flooded inlet)	123.1 g.p.m. (465.9 l.p.m.)
Displacement / Cycle @ 100 p.s.i.	0.617 gal. (2.34 lit.)
Maximum Particle Size	1/4" dia. (6.4 mm)
Maximum Temperature Limits (diaphragm / ball / seal material)	
E.P.R. / EPDM	-60° to 280° F (-51° to 138° C)
Hytel	-20° to 150° F (-29° to 66° C)
Nitrile	10° to 180° F (-12° to 82° C)
Polypropylene	35° to 150° F (2° to 66° C)
P.V.D.F. (Kynar)	10° to 200° F (-12° to 93° C)
Santoprene	-40° to 225° F (-40° to 107° C)
T.F.E. (Teflon)	40° to 225° F (4° to 107° C)
Viton	-40° to 350° F (-40° to 177° C)
Noise Level @ 70 p.s.i. - 60 c.p.m.	81.0 db(A) ^①

① The pump sound pressure level has been updated to an Equivalent Continuous Sound Level (L_{Aeq}) to meet the intent of ANSI S1. 13-1971, CAGI-PNEUROPS S5.1 using four microphone locations.



PERFORMANCE CURVES

PE15P-XXS-XXX-A0S 1-1/2" NON-METALLIC DIAPHRAGM PUMP

