

SALES & ENGINEERING DATA

RATIO SERIES: **1:1**

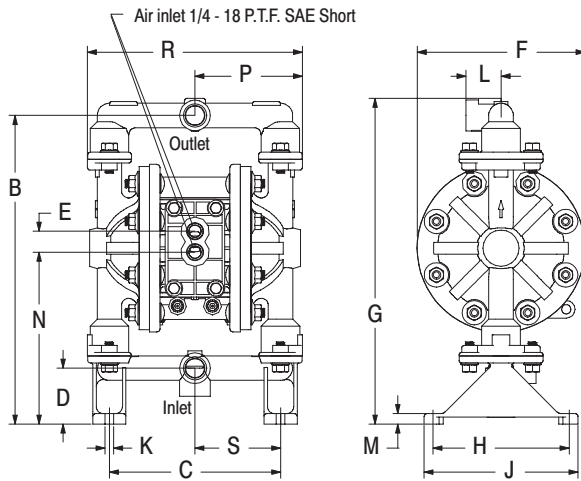
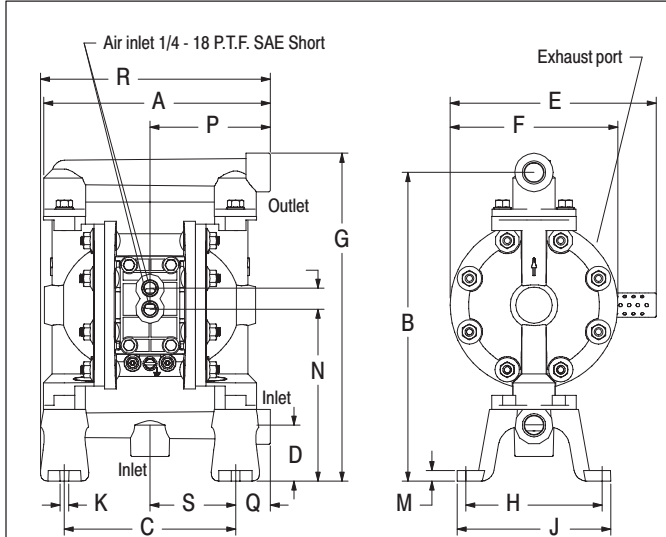
FLUID P.S.I. RANGE: **10 - 100**

PE05A-XXS-XXX-B0S & PE05R-XXS-XXX-B0S

1/2" METALLIC DIAPHRAGM PUMP

RELEASED: 12-9-05
 REVISED: (REV. 01)
 S-1389

DIMENSIONAL DATA



DIMENSIONS

| | | |
|-----------------------|---------------------|----------------------|
| A 8-1/8" (206.0 mm) | G see below | N 6-5/32" (156.3 mm) |
| B 11-1/16" (280.4 mm) | H 4-7/8" (123.8 mm) | P see below |
| C 6-1/8" (155.6 mm) | J 5-1/2" (139.7 mm) | Q 1-1/4" (31.6 mm) |
| D 2" (50.8 mm) | K 5/16" (7.9 mm) | R see below |
| E 3/4" (19.1 mm) | L 1-1/4" (31.8 mm) | S 3-1/16" (77.8 mm) |
| F 6" (152.4 mm) | M 3/8" (9.5 mm) | |

| Dimension | PE05A-XXS-XXX-B0S | PE05R-XXS-XXX-B0S |
|-----------|--------------------|----------------------|
| "G" | 11-3/4" (297.9 mm) | 11-21/32" (296.0 mm) |
| "P" | 4-5/16" (109.3 mm) | 3-27/32" (97.4 mm) |
| "R" | 8-7/32" (208.5 mm) | 7-11/16" (195.2 mm) |

NOTE: Dimensions are shown in inches and (mm), supplied for reference only and are typically rounded up to the nearest 1/16 inch.

SPECIFICATIONS

CONSTRUCTION

| | |
|--|--|
| Model Series | PE05X-XXS-XXX-B0S |
| Pump Type | Metallic, Air Operated, Double Diaphragm |
| Ratio | 1:1 |
| Material Inlet / Outlet (female) | |
| PE05X-AXS-XXX-B0S | 1/2 - 14 N.P.T.F. - 1 |
| PE05X-BXS-XXX-B0S | Rp 1/2 (1/2 - 14 BSP parallel) |
| Air Inlet (female) | 1/4 - 18 P.T.F. SAE short |
| Air Exhaust (PE05A-XXS-XXX-B0S) | 3/8 - 18 N.P.T.F. - 1 |
| (PE05R-XXS-XXX-B0S) | internal |
| (optional) (PE05R-X-X-B0S) | 3/8 - 18 N.P.T.F. - 1 |
| Weight .. | |
| PE05A-XAS-XXX-B0S .. | 8.87 lbs (4.02 kgs) |
| PE05A-XSS-XXX-B0S .. | 15.08 lbs (6.84 kgs) |
| PE05R-XAS-XXX-B0S .. | 7.62 lbs (3.46 kgs) |
| PE05R-XSS-XXX-B0S .. | 13.83 lbs (6.27 kgs) |
| Air Section Service Kit | 637428 |
| Fluid Section Service Kit | 637427-XX |

PE05X-XXS-X -B0S

637427 -

Diaphragm Material
 Ball Material

EXAMPLE: Model #PE05R-AAS-SST-B0S
 Fluid Section Service Kit is 637427-ST

PERFORMANCE

| | |
|--|----------------------------------|
| Air Inlet Pressure Range | 10 - 100 p.s.i. (0.69 - 6.9 bar) |
| Maximum Material Inlet Pressure .. | 10 p.s.i. (0.69 bar) |
| Fluid Outlet Pressure Range | 10 - 100 p.s.i. (0.69 - 6.9 bar) |
| Maximum Flow Rate (flooded inlet) .. | 12.0 g.p.m. (45.4 l.p.m.) |
| Displacement / Cycle @ 100 p.s.i. .. | 0.039 gal. (0.15 lit.) |
| Maximum Particle Size | 3/32" dia. (2.4 mm) |
| Maximum Temperature Limits (diaphragm / ball / seat material) | |
| E.P.R. / EPDM | -60° to 280° F (-51° to 138° C) |
| Hytrek | -20° to 150° F (-29° to 66° C) |
| Nitrile | 10° to 180° F (-12° to 82° C) |
| Polypropylene | 35° to 150° F (2° to 66° C) |
| Polyurethane | 10° to 150° F (-12° to 66° C) |
| Santoprene | -40° to 225° F (-40° to 107° C) |
| P.T.F.E. (Teflon) | 40° to 225° F (4° to 107° C) |
| Viton | -40° to 350° F (-40° to 177° C) |
| Noise Level @ 70 p.s.i. - 60 c.p.m. ① | 75.0 db(A)② |

Notes:

- ① Tested with 67367 muffler assembly installed.
- ② The pump sound pressure level has been updated to an Equivalent Continuous Sound Level (L_{Aeq}) to meet the intent of ANSI S1. 13-1971, CAGI-PNEUROPS S5.1 using four microphone locations.

ACCESSORIES:

637438 Ported Exhaust Kit
 93110 Muffler

PERFORMANCE CURVES

PE05X-XXS-XXX-B0S 1/2" METALLIC DIAPHRAGM PUMP

