

SALES & ENGINEERING DATA

RATIO SERIES: **1:1**

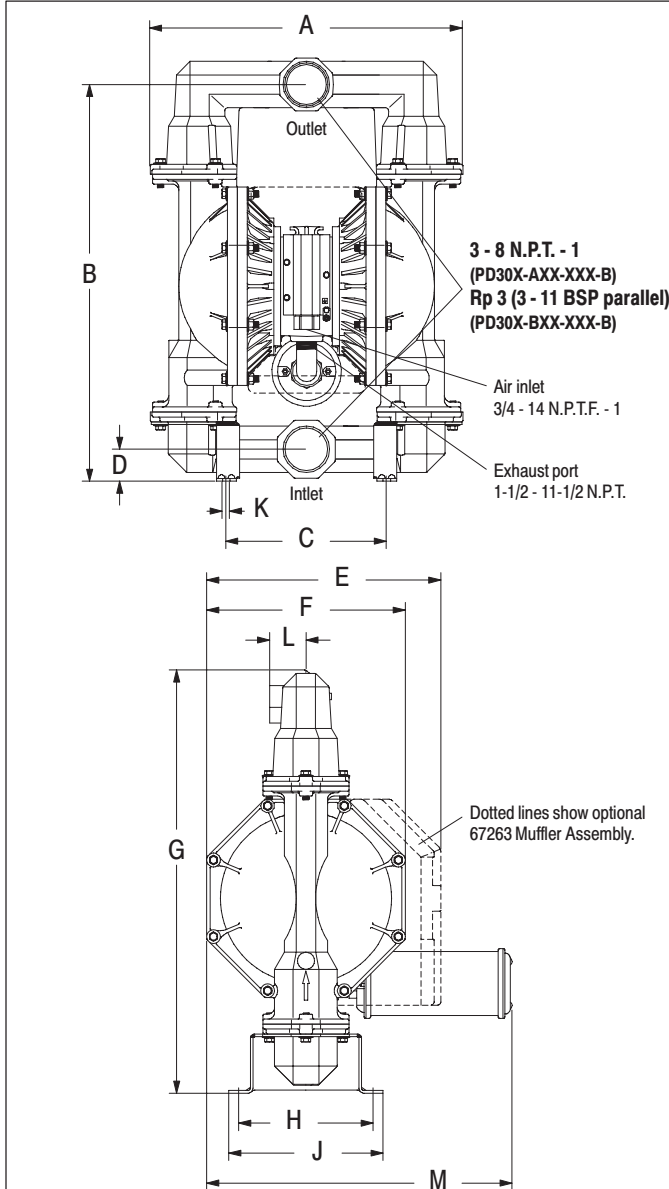
FLUID P.S.I. RANGE: **20 - 120**

PD30X-XXX-XXX-B(03)

3" METALLIC DIAPHRAGM PUMP

RELEASED: 8-7-98
 REVISED: 3-23-05
 (REV. C) S-958

DIMENSIONAL DATA



DIMENSIONS

A see below	E 17-11/16" (449.2 mm)	J see below
B 30" (761.7 mm)	F 15" (381 mm)	K 9/16" (14.3 mm)
C 12-1/16" (306.5 mm)	G 32" (812.5 mm)	L 2-3/4" (69.9 mm)
D see below	H 10-5/32" (258 mm)	M 23-3/32" (586.3 mm)

	"A"	"D"	"J"
PD30X-XAX	23-5/8" (598.7 mm)	2-3/8" (60.3 mm)	11" (279.4 mm)
PD30X-XCX	23-5/8" (598.7 mm)	2-7/16" (61.1 mm)	11-11/16" (296.1 mm)
PD30X-XHX	23-1/8" (587.3 mm)	2-3/4" (69.9 mm)	11-11/16" (296.1 mm)
PD30X-XSX	23-1/8" (587.3 mm)	2-3/4" (69.9 mm)	11-11/16" (296.1 mm)

NOTE: Dimensions are shown in inches and (mm), supplied for reference only and are typically rounded up to the nearest 1/16 inch.

SPECIFICATIONS

CONSTRUCTION

Model Series	PD30X-XXX-XXX-B(03)
Pump Type	Metallic, Air Operated, Double Diaphragm
Ratio	1:1
Material Inlet / Outlet (female)	
PD30X-AXX-XXX-B()	3 - 8 N.P.T.F. - 1
PD30X-BXX-XXX-B()	Rp 3 (3 - 11 BSP parallel)
Air Inlet (female)	3/4 - 14 N.P.T.F. - 1
Air Exhaust (female)	1-1/2 - 11-1/2 N.P.T.
Weight	
PD30X-XAX-XXX-B()	113 lbs (51.3 kgs)
PD30X-XCX-XXX-B()	197 lbs (89.4 kgs)
PD30X-XHX-XXX-B()	203 lbs (92.1 kgs)
PD30X-XSX-XXX-B()	203 lbs (92.1 kgs)
	[add 40 lbs (18.1 kgs) for stainless steel air motor section]
Air Section Service Kit	637302
Fluid Section Service Kit	637303-XX

PD30X-XXX-X [X] [X]-B()

637303 - [X] [X]

Diaphragm Material
Ball Material

EXAMPLE: Model #PD30A-AAP-AAA-B
 Fluid Section Service Kit is 637303-AA

PERFORMANCE

Air Inlet Pressure Range	
Ball check models	20 - 120 p.s.i. (1.4 - 8.3 bar)
Cone check models	20 - 100 p.s.i. (1.4 - 6.9 bar)
Maximum Material Inlet Pressure	10 p.s.i. (0.69 bar)
Fluid Outlet Pressure Range	
Ball check models	20 - 120 p.s.i. (1.4 - 8.3 bar)
Cone check models	20 - 100 p.s.i. (1.4 - 6.9 bar)
Maximum Flow Rate (flooded inlet)	
Ball check models	275 g.p.m. (1,041 l.p.m.)
Cone check models	195 g.p.m. (738.1 l.p.m.)
Maximum Particle Size	
Ball check models	3/8" dia. (9.5 mm)
Cone check models	3/4" dia. (18.75 mm)
Maximum Temperature Limits	
E.P.R. / EPDM	-60° to 280° F (-51° to 138° C)
Hytrel	-20° to 150° F (-29° to 66° C)
Nitrile	10° to 180° F (-12° to 82° C)
P.V.D.F. (Kynar)	10° to 200° F (-12° to 93° C)
Santoprene	-40° to 225° F (-40° to 107° C)
T.F.E. (Teflon)	40° to 225° F (4° to 107° C)
Viton	-40° to 350° F (-40° to 177° C)
Displacement / Cycle @ 100 p.s.i.	2.8 gal. (10.6 lit.)
Noise Level @ 70 p.s.i. - 50 c.p.m.①	83.0 db(A)②

Notes:

① Tested with 67263 muffler assembly installed.

② The pump sound pressure level has been updated to an Equivalent Continuous Sound Level (L_{Aeq}) to meet the intent of ANSI S1. 13-1971, CAGI-PNEUROPS S5.1 using four microphone locations.

ACCESSORIES:

66109 Airline Connection Kit
 67263 Continuous Muffler
 94117 Int. Muffler

INGERSOLL-RAND COMPANY
 P.O. BOX 151 • ONE ARO CENTER • BRYAN, OHIO 43506-0151

☎ (800) 276-4658 • FAX (800) 266-7016 ©2005 CCN 15244205



PERFORMANCE CURVES

PD30X-XXX-XXX-B() 3" METALLIC DIAPHRAGM PUMP

