

# SALES & ENGINEERING DATA

RATIO SERIES: **1:1**

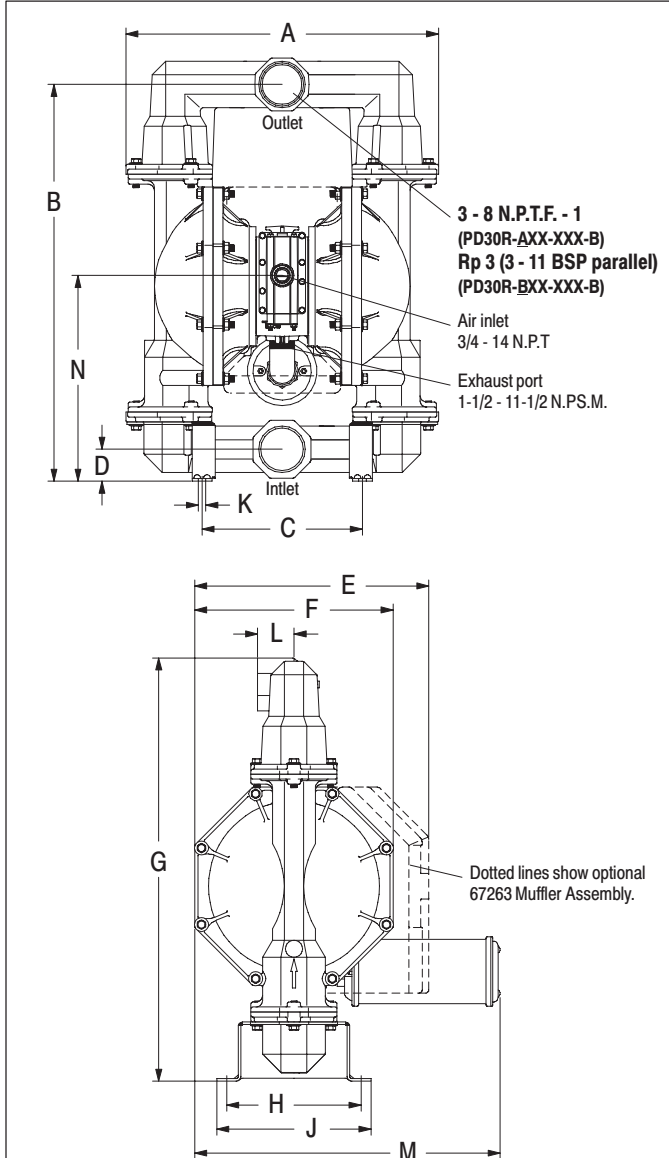
FLUID P.S.I. RANGE: **20 - 120**

PD30R-XXX-XXX-B

## 3" METALLIC DIAPHRAGM PUMP

RELEASED: 6-17-03  
 REVISED: 3-21-05  
 (REV. 03) S-1288

### DIMENSIONAL DATA



#### DIMENSIONS

A see below	F 15" (381 mm)	K 9/16" (14.3 mm)
B 30" (761.7 mm)	G 32" (812.5 mm)	L 2-3/4" (69.9 mm)
C 12-3/16" (309.6 mm)	H 10-5/32" (258 mm)	M 23-3/32" (586.3 mm)
D see below	J 11-11/16" (296.1 mm)	N see below
E 17-11/16" (449.2 mm)		

	"A"	"D"	"N"
PD30R-XCX-X-B	23-5/8" (598.7 mm)	2-7/16" (61.1 mm)	15-9/16" (394.8 mm)
PD30R-XSX-X-B	23-1/8" (587.3 mm)	2-3/4" (69.9 mm)	16" (406.4 mm)

NOTE: Dimensions are shown in inches and (mm), supplied for reference only and are typically rounded up to the nearest 1/16 inch.

### SPECIFICATIONS

#### CONSTRUCTION

Model Series	PD30R-XXX-XXX-B
Pump Type	Metallic, Air Operated, Double Diaphragm
Ratio	1:1
Material Inlet / Outlet (female)	
PD30R-AXX-XXX-B	3 - 8 N.P.T.F. - 1
PD30R-BXX-XXX-B	Rp 3 (3 - 11 BSP parallel)
Air Inlet (female)	3/4 - 14 N.P.T.
Air Exhaust (female)	1-1/2 - 11-1/2 N.P.S.M.
Weight	
PD30R-XCX-XXX-B	235 lbs (106.6 kgs)
PD30R-XSX-XXX-B	241 lbs (109.3 kgs)
Air Section Service Kit	637369
Fluid Section Service Kit	637303-XX

PD30R-XXX- X X X -B

637303 - X X

Diaphragm Material  
Ball Material

EXAMPLE: Model #PD30R-ASS-SAA-B

Fluid Section Service Kit is 637303-AA

#### PERFORMANCE

Air Inlet Pressure Range	20 - 120 p.s.i. (1.4 - 8.3 bar)
Maximum Material Inlet Pressure	10 p.s.i. (0.69 bar)
Fluid Outlet Pressure Range	20 - 120 p.s.i. (1.4 - 8.3 bar)
Maximum Flow Rate (flooded inlet)	275 g.p.m. (1,041 l.p.m.)
Maximum Particle Size	3/8" dia. (9.5 mm)
Maximum Temperature Limits (diaphragm / ball / seal material)	
E.P.R. / EPDM	-60° to 280° F (-51° to 138° C)
Hytrek	-20° to 150° F (-29° to 66° C)
Nitrile	10° to 180° F (-12° to 82° C)
Polypropylene	35° to 150° F (2° to 66° C)
PVDF (Kynar)	10° to 200° F (-12° to 93° C)
Santoprene	-40° to 225° F (-40° to 107° C)
T.F.E. (Teflon)	40° to 225° F (4° to 107° C)
Viton	-40° to 350° F (-40° to 177° C)
Displacement / Cycle @ 100 p.s.i.	2.8 gal. (10.6 lit.)
Noise Level @ 70 p.s.i. - 50 c.p.m.	83.0 db(A)②

#### Notes:

① Tested with 67263 muffler assembly installed.

② The pump sound pressure level has been updated to an Equivalent Continuous Sound Level (L<sub>Aeq</sub>) to meet the intent of ANSI S1. 13-1971, CAGI-PNEUROP S5.1 using four microphone locations.

#### ACCESSORIES:

66109 Airline Connection Kit  
 67263 Continuous Muffler  
 94117 Int. Muffler

INGERSOLL-RAND COMPANY  
 P.O. BOX 151 • ONE ARO CENTER • BRYAN, OHIO 43506-0151

☎ (800) 276-4658 • FAX (800) 266-7016 ©2005 CCN 15199094



# PERFORMANCE CURVES

## PD30R-XXX-XXX-B 3" METALLIC DIAPHRAGM PUMP

