

SALES & ENGINEERING DATA

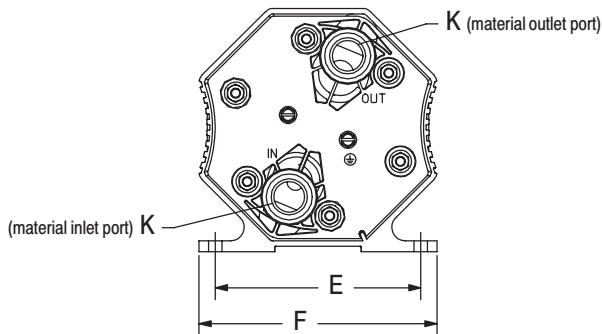
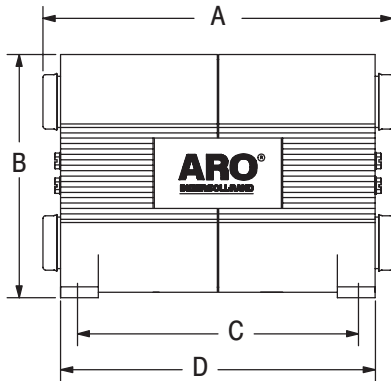
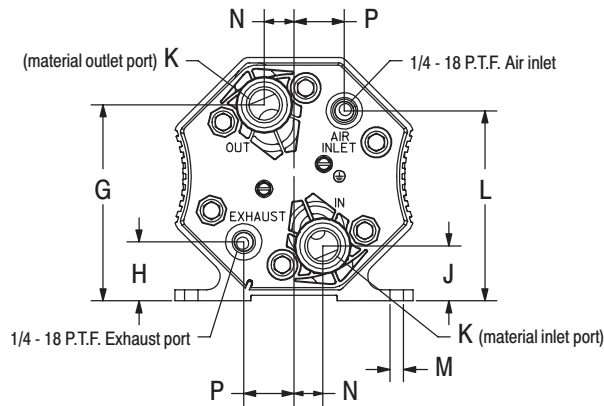
RATIO SERIES: **1:1**

FLUID P.S.I. RANGE: **20 - 100**

PD0AP-XXS-XTX 1/4" DIAPHRAGM PUMP WITH 1/2" PORTS 1:1 RATIO (NON-METALLIC)

RELEASED: 5-16-02
REVISED: S-1254

DIMENSIONAL DATA



DIMENSIONS

A 8-1/8" (205 mm)	F 5-1/2" (140 mm)	L 4-7/16" (112 mm)
B 5-5/8" (143 mm)	G 4-9/16" (115 mm)	M 5/16" (8 mm)
C 6-1/2" (165 mm)	H 1-3/8" (35 mm)	N 11/16" (17 mm)
D 7-5/16" (185 mm)	J 1-5/16" (32 mm)	P 1-3/16" (30 mm)
E 4-3/4" (121 mm)	K 1/2 - 14 N.P.T.F. - 1	

NOTE: Dimensions are shown in inches and (mm), supplied for reference only and are typically rounded up to the nearest 1/16 inch.

SPECIFICATIONS

CONSTRUCTION

Model Series	PD0AP-XXS-XTX
Pump Type	Non-Metallic, Air Operated, Double Diaphragm ²
Ratio	1:1
Material Inlet (female)	1/2 - 14 N.P.T.F. - 1
Material Outlet (female)	1/2 - 14 N.P.T.F. - 1
Air Inlet (female)	1/4 - 18 P.T.F.
Air Exhaust (female)	1/4 - 18 P.T.F.
Weight	Polypropylene 4.08 lbs (1.85 kgs) Groundable Acetal 4.64 lbs (2.10 kgs) PVDF (Kynar) 4.9 lbs (2.22 kgs)
Air Valve Service Kit	637276
Fluid Section Service Kit	637313-XX
Pump Rebuild Service Kit	637314-XX

PD0AP-X S-XT
637313 -

Diaphragm Material
Wet End Material

EXAMPLE: Model PD0AP-APS-PTA
Fluid Section Service Kit is 637313-PA
Pump Rebuild Service Kit is 637314-PA

PERFORMANCE

Air Inlet Pressure Range	20 - 100 p.s.i. (1.4 - 6.9 bar)
Fluid Pressure Range	20 - 100 p.s.i. (1.4 - 6.9 bar)
Maximum Flow Rate (flooded inlet)	4.6 g.p.m. (17.4 l.p.m.)
Maximum Particle Size	clean fluid only
Maximum Temperature Limits	
Polypropylene	35° to 150° F (2° to 66° C)
Groundable Acetal	10° to 180° F (-12° to 82° C)
PVDF (Kynar)	10° to 200° F (-12° to 93° C)
Displacement / Cycle @ 100 p.s.i.	0.014 gal. (53 cc's)
Noise Level @ 70 p.s.i. - 60 c.p.m.	59.8 db(A) ¹

Notes:

- ¹ The pump sound pressure level has been updated to an Equivalent Continuous Sound Level (L_{Aeq}) to meet the intent of ANSI S1. 13-1971, CAGI-PNEUROPS S5.1 using four microphone locations.
- ² PD0AP-XDS-DTX models are constructed of a groundable acetal. The material's conductivity allows it to be connected to a suitable ground.

ACCESSORIES:

66073-1 Air Line Kit
66885-1 Grounding Kit



PERFORMANCE CURVES

PD0AP-XXS-XTX 1/4" NON-METALLIC DIAPHRAGM PUMP

