

SALES & ENGINEERING DATA

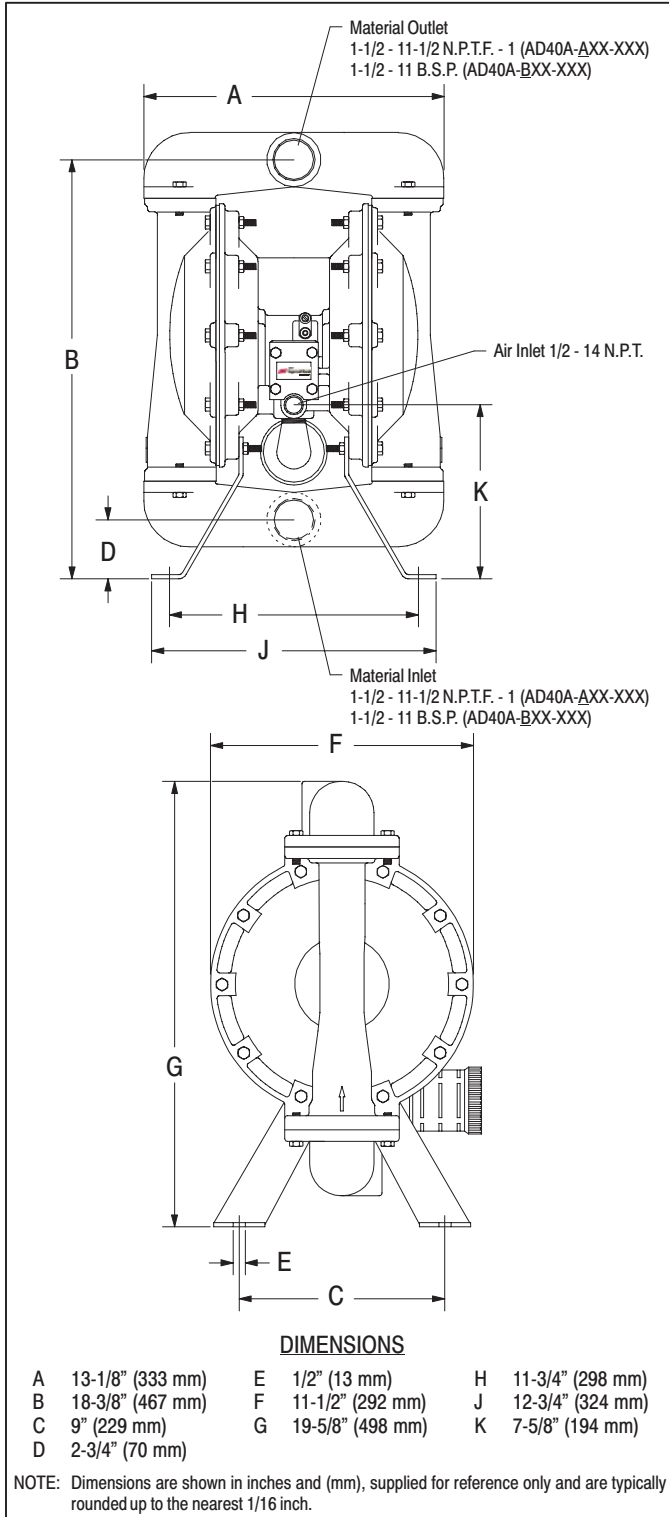
RATIO SERIES: **1:1**

FLUID P.S.I. RANGE: **20 - 120**

AD40A-XXX-XXX 1-1/2" METALLIC DIAPHRAGM PUMP

RELEASED: 4-21-05
REVISED: 6-24-05
(REV. 02) S-1361

DIMENSIONAL DATA



SPECIFICATIONS

CONSTRUCTION

Model Series	AD40A-XXX-XXX
Pump Type	Metallic, Air Operated, Double Diaphragm
Ratio	1:1
Material Inlet / Outlet (female)	
AD40A-AXX-XXX	1-1/2 - 11-1/2 N.P.T.F. - 1
AD40A-BXX-XXX	1-1/2 - 11 B.S.P.
Air Inlet (female)	1/2 - 14 N.P.T.
Air Exhaust (female)	3/4 - 14 N.P.T.
Weight ...	
AD40A-XAX-XXX	50.9 lbs (23.1 kgs)
AD40A-XCX-XXX	78.9 lbs (35.8 kgs)
AD40A-XSX-XXX	83.9 lbs (38.0 kgs)
Air Section Service Kit	637436
Fluid Section Service Kit	637426-XX

AD40A-XXX - X X X
637426 - X X

Diaphragm Material
Ball Material

EXAMPLE: Model AD40A-ASS-SAA
Fluid Section Service Kit is 637426-AA

PERFORMANCE

Air Inlet Pressure Range	20 - 120 p.s.i. (1.4 - 8.3 bar)
Maximum Material Inlet Pressure ...	10 p.s.i. (0.69 bar)
Fluid Pressure Range	20 - 120 p.s.i. (1.4 - 8.3 bar)
Maximum Flow Rate (flooded inlet) ..	90 g.p.m. (340.7 l.p.m.)
Displacement / Cycle @ 100 p.s.i. ..	0.64 gal. (2.42 lit.)
Maximum Particle Size	1/4" dia. (6.4 mm)
Maximum Temperature Limits (diaphragm / ball / seal material)	
E.P.R. / EPDM	-60° to 280° F (-51° to 138° C)
Hytrel	-20° to 150° F (-29° to 66° C)
Polypropylene	35° to 150° F (2° to 66° C)
Santoprene	-40° to 225° F (-40° to 107° C)
T.F.E. (Teflon)	40° to 225° F (4° to 107° C)
Viton	-40° to 350° F (-40° to 177° C)
Noise Level @ 70 p.s.i. - 60 c.p.m. ①	77.7 db(A) ②

① Tested with 93139 muffler installed.

② The pump sound pressure level has been updated to an Equivalent Continuous Sound Level (L_{Aeq}) to meet the intent of ANSI S1. 13-1971, CAGI-PNEUROPS S5.1 using four microphone locations.

ACCESSORIES:

66084-1 Air Line Connection Kit

PERFORMANCE CURVES

AD40A-XXX-XXX 1-1/2" METALLIC DIAPHRAGM PUMP

