

SALES & ENGINEERING DATA

RATIO SERIES: 1:1

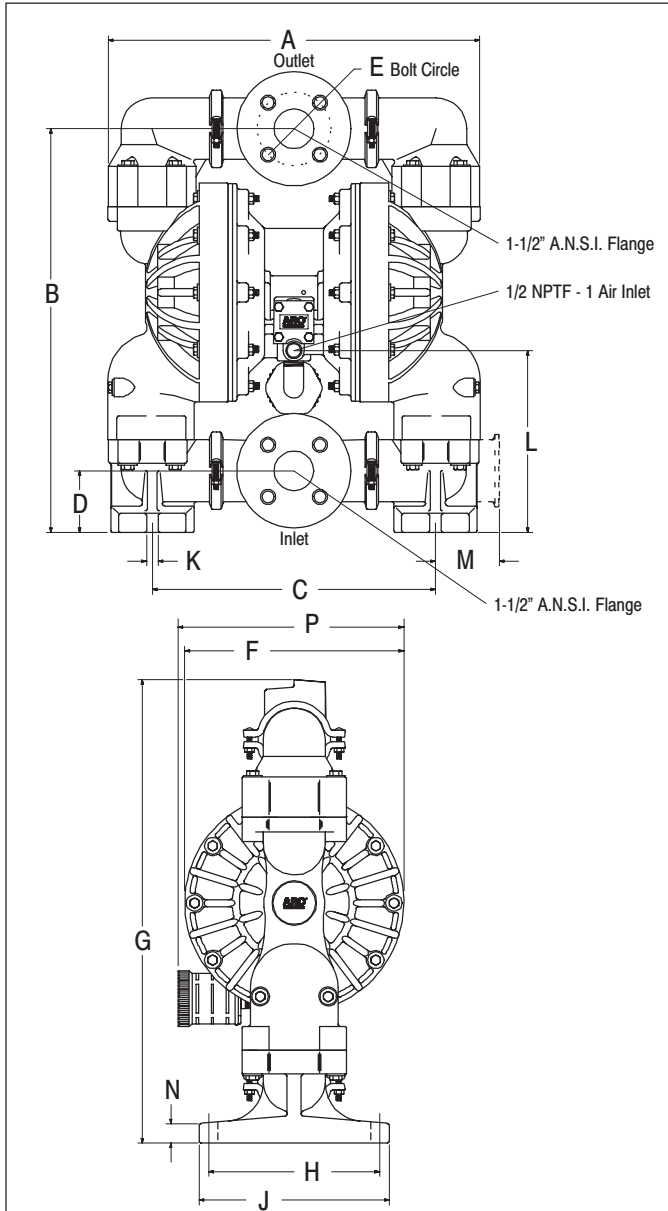
FLUID PSI RANGE: 20 - 120

6661T3-XXX-C THRU 6661U4-XXX-C

1-1/2" NON-METALLIC DIAPHRAGM PUMP

RELEASED: 1-10-97
REVISED: 10-22-99
S-876

DIMENSIONAL DATA



DIMENSIONS

A	19-1/2" (495)	F	11-1/2" (292)	L	9-5/8" (244)
B	21-5/16" (541)	G	24-1/2" (622)	M	3-3/8" (86)
C	14-15/16" (379)	H	9" (229)	N	1-1/16" (27)
D	3-1/4" (83)	J	10-1/16" (256)	P	11-15/16" (302)
E	3-7/8" (98)	K	5/8" (16)		

NOTE: Dimensions are shown in inches and (mm), supplied for reference only and are typically rounded up to the nearest 1/16 inch.

SPECIFICATIONS

CONSTRUCTION

- Model Series 6661T3-XXX-C thru 6661U4-XXX-C
- Pump Type Non-Metallic, Air Operated, Double Diaphragm
- Ratio 1:1
- Material Inlet / Outlet 1-1/2" A.N.S.I. Class 150 Flange
- Air Inlet 1/2" NPTF-1(f)
- Air Exhaust 3/4" NPTF-1(f)
- Weight Polypropylene - 62 lbs (28 kgs)
Kynar (PVDF) - 92 lbs (42 kgs)
(add 23 lbs (10.4 kgs) for cast iron air motor section)
- Air Section Service Kit 637118-C
- Fluid Section Service Kit ... 637165-XX

6661T3 - X X X - C
637165 - X X

Diaphragm Material
Ball Material

EXAMPLE: Model 6661T3-344-C
Fluid Section Service Kit is 637165-44

PERFORMANCE

- Air Inlet Pressure Range 20 - 120 p.s.i. (1 - 8.3 bar)
- Fluid Pressure Range 20 - 120 p.s.i. (1 - 8.3 bar)
- Max. Flow Rate (Flooded Inlet) 120 g.p.m. (454.2 l.p.m.)
- Max. Particle Size 1/4" dia. (6.4 mm)
- Max. Temperature Limits
Polypropylene 35° to 150° F (2° to 66° C)
Kynar (PVDF) 10° to 200° F (-12° to 93° C)
- Displacement / Cycle @ 100 p.s.i.: 0.67 gal. (2.54 l)
- Noise Level @ 70 p.s.i. - 60 Cpm^① . 77.7 db(A)^②

Notes:

- ① Tested with 93139 Muffler installed.
- ② The pump sound pressure level has been updated to an Equivalent Continuous Sound Level (L_{Aeq}) to meet the intent of ANSI S1. 13-1971, CAGI-PNEUROP S5.1 using four microphone locations.

ACCESSORIES:

- 65010 Neoprene "O" Ring Air Motor Kit
- 65764 Viton "O" Ring Air Motor Kit
- 66084-1 Air Line Kit



INGERSOLL-RAND COMPANY
ONE ARO CENTER • BRYAN, OHIO 43506-0151
☎ (419) 636-4242 • FAX (419) 633-1674

©1999 • PRINTED IN U.S.A.

INGERSOLL-RAND

FLUID PRODUCTS

PERFORMANCE CURVES

6661XX-XXX-C 1-1/2" NON-METALLIC DIAPHRAGM PUMP

