

SALES & ENGINEERING DATA

RATIO SERIES: **3:1**

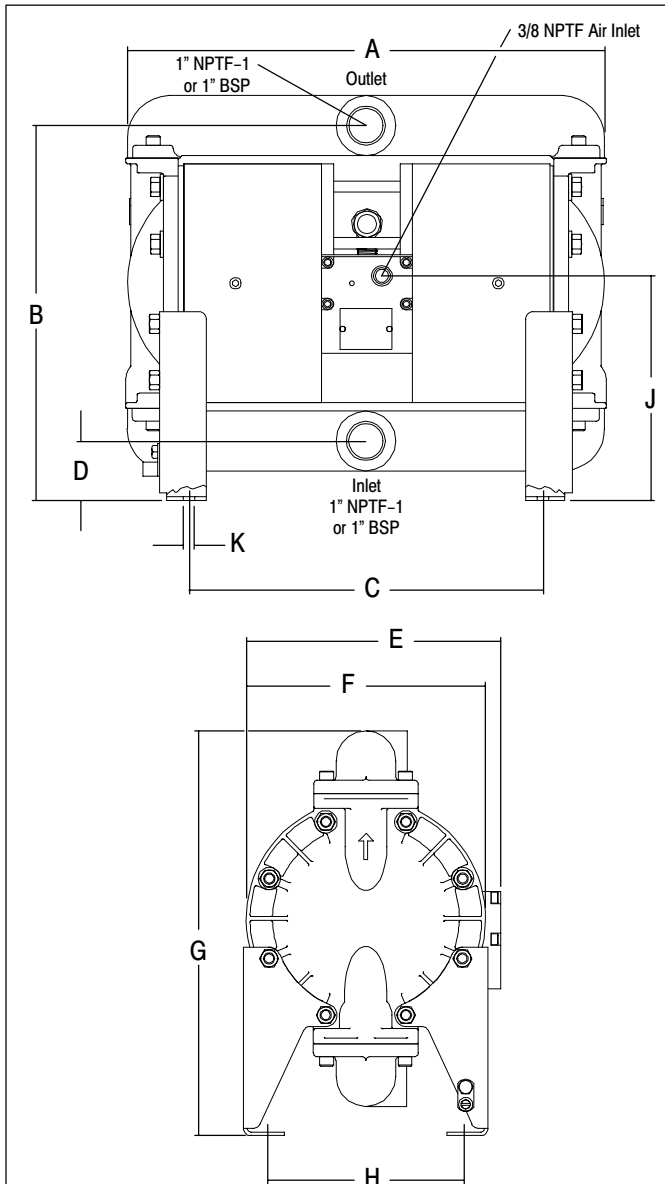
FLUID P.S.I. RANGE: **60 - 300**

6661M0-XXX-C THRU 6661N1-XXX-C

1" HIGH PRESSURE METALLIC DIAPHRAGM PUMP

RELEASED: 1-10-97
REVISED: 3-8-01
S-881

DIMENSIONAL DATA



DIMENSIONS

A 16-1/16 (408)	E 8-9/16 (217)	H 6-5/8 (168)
B 12-9/16 (319)	F 8 (203)	J 7-9/16 (192)
C 11-5/8 (295)	G 13-9/16 (344)	K 13/32 (10)
D 2 (51)		

NOTE: Dimensions are shown in inches and (mm), supplied for reference only and are typically rounded up to the nearest 1/16 inch.

SPECIFICATIONS

CONSTRUCTION

Model Series	6661M0-XXX-C thru 6661N1-XXX-C
Pump Type	Metallic, Air Operated, High Pressure, Double Diaphragm
Ratio	3:1
Material Inlet / Outlet (female)	1" N.P.T.F. - 1 or 1" BSP
Air Inletm (female)	3/8 - 18 N.P.T.F. - 1
Air Exhaust (female)	3/8 - 18 N.P.T.F. - 1
Weight	Aluminum - 75 lbs (34 kgs) Stainless Steel - 90 lbs (41 kgs)
Air Section Service Kit	637178
Fluid Section Service Kit	
for models 6661XX-2A4-C	637179
for models 6661XX-8B4-C	637179-1

PERFORMANCE

Air Inlet Pressure Range	20 - 100 p.s.i. (1 - 6.9 bar)
Fluid Pressure Range	60 - 300 p.s.i. (4 - 20.7 bar)
Max. Flow Rate (Flooded Inlet)	24 g.p.m. (90.8 l.p.m.)
Max. Particle Size	1/8" dia. (3.2 mm)
Max. Temperature Limits	35° to 220°F (2° to 104°C)
Displacement / Cycle @ 100 psi:	0.09 gal. (.34 lit.)
Noise Level @ 70 psi - 60 Cpm ^①	84.5 db(A) ^②

Notes:

- ① Tested with 93110 muffler installed.
- ② The pump sound pressure level has been updated to an Equivalent Continuous Sound Level (L_{Aeq}) to meet the intent of ANSI S1. 13-1971, CAGI-PNEUROPS S5.1 using four microphone locations.

ACCESSORIES:

66073-1 Air Line Kit



PERFORMANCE CURVES

6661XX-XX4-C 1" HIGH PRESSURE METALLIC DIAPHRAGM PUMP

