

SALES & ENGINEERING DATA

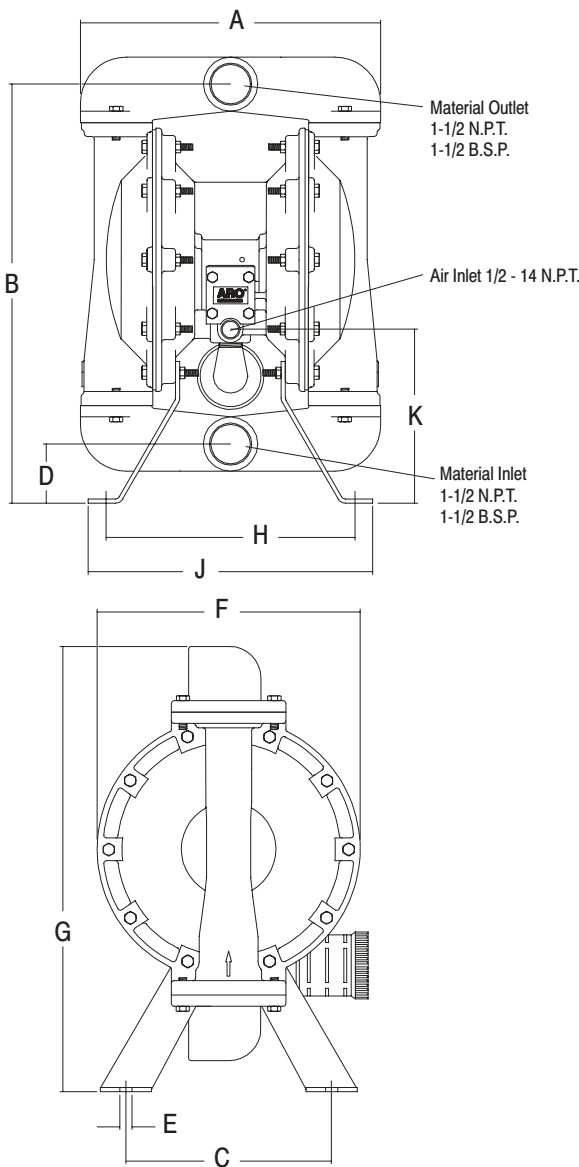
RATIO SERIES: **1:1**

FLUID P.S.I. RANGE: **20 - 120**

66615X-XXX-C THRU 66618X-XXX-C 1-1/2" METALLIC DIAPHRAGM PUMP

RELEASED: 1-10-97
REVISED: 1-6-03
S-879

DIMENSIONAL DATA



DIMENSIONS

A	13-1/8" (333 mm)	E	1/2" (13 mm)	H	11-3/4" (298 mm)
B	18-3/8" (467 mm)	F	11-1/2" (292 mm)	J	12-3/4" (324 mm)
C	9" (229 mm)	G	19-5/8" (498 mm)	K	7-5/8" (194 mm)
D	2-3/4" (70 mm)				

NOTE: Dimensions are shown in inches and (mm), supplied for reference only and are typically rounded up to the nearest 1/16 inch.

SPECIFICATIONS

CONSTRUCTION

Model Series	66615X-XXX-C thru 66618X-XXX-C
Pump Type	Metallic, Air Operated, Double Diaphragm
Ratio	1:1
Material Inlet / Outlet (female)	
66615X-X and 66616X-X	1-1/2 - 11-1/2 N.P.T.
66617X-X and 66618X-X	1-1/2 - 11 B.S.P.
Air Inlet (female)	1/2 - 14 N.P.T.
Air Exhaust (female)	3/4 - 14 N.P.T.
Weight	
Aluminum	51 lbs (23.1 kgs)
Cast Iron	79 lbs (35.8 kgs)
Stainless Steel	84 lbs (38.1 kgs)
	(add 23 lbs (10.4 kgs) for cast iron air motor section)
Air Section Service Kit	637118-C
Fluid Section Service Kit	637124-XX

66615X - X - C
637124 -

Diaphragm Material
Ball Material

EXAMPLE: Model 666150-361-C
Fluid Section Service Kit is 637124-61

PERFORMANCE

Air Inlet Pressure Range	
Ball check models	20 - 120 p.s.i. (1.4 - 8.3 bar)
Cone check models	20 - 100 p.s.i. (1.4 - 6.9 bar)
Maximum Material Inlet Pressure ...	10 p.s.i. (0.69 bar)
Fluid Pressure Range	
Ball check models	20 - 120 p.s.i. (1.4 - 8.3 bar)
Cone check models	20 - 100 p.s.i. (1.4 - 6.9 bar)
Maximum Flow Rate (flooded inlet)	
Ball check models	90 g.p.m. (340.7 l.p.m.)
Cone check models	85 g.p.m. (321.7 l.p.m.)
Maximum Particle Size	
Ball check models	1/4" dia. (6.4 mm)
Cone check models	1/2" dia. (12.7 mm)
Maximum Temperature Limits	
Polypropylene and Stainless steel seats ..	35° to 150° F (2° to 66° C)
Kynar (PVDF) seats	10° to 200° F (-12° to 93° C)
Displacement / Cycle @ 100 p.s.i. ..	0.64 gal. (2.42 lit.)
Noise Level @ 70 p.s.i. - 60 c.p.m. ①	77.7 db(A)②

① Tested with 93139 muffler installed.

② The pump sound pressure level has been updated to an Equivalent Continuous Sound Level (L_{Aeq}) to meet the intent of ANSI S1. 13-1971, CAGI-PNEUROP S5.1 using four microphone locations.

ACCESSORIES:

- 65010 Neoprene "O" Ring Air Motor Kit
- 65764 Viton "O" Ring Air Motor Kit
- 66084-1 Air Line Kit
- 637155 Abrasion Resistant Conversion Kit



PERFORMANCE CURVES

6661XX-XXX-C 1-1/2" METALLIC DIAPHRAGM PUMP

