

SALES & ENGINEERING DATA

RATIO SERIES: **1:1**

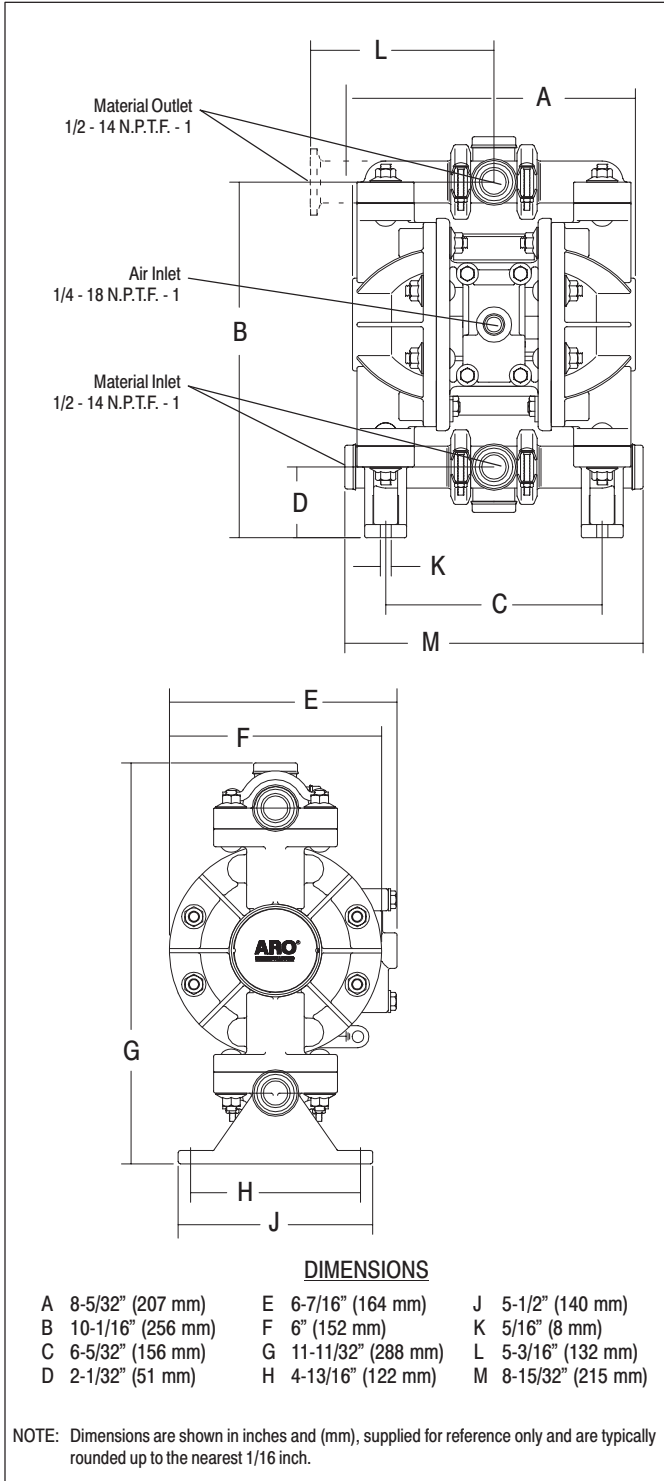
FLUID PSI RANGE: **20 - 100**

66605X-XXX

1/2" NON-METALLIC DIAPHRAGM PUMP

RELEASED: 1-31-97
REVISED: 1-11-02
S-875

DIMENSIONAL DATA



SPECIFICATIONS

CONSTRUCTION

Model Series 66605X-XXX
 Pump Type Non-Metallic, Air Operated, Double Diaphragm[®]
 Ratio 1:1
 Material Inlet / Outlet 1/2 - 14 N.P.T.F. - 1 (female)
 Air Inlet 1/4 - 18 N.P.T.F. - 1 (female)
 Air Exhaust standard - internal
 optional - 3/8 - 18 N.P.T.F. - 1 (female)
 Weight Polypropylene - 7.2 lbs (3.3 kgs)
 Groundable Acetal - 8.8 lbs (4.0 kgs)
 Kynar (PVDF) - 9.5 lbs (4.3 kgs)
 Air Section Service Kit 637141
 Fluid Section Service Kit 637140-XX

66605X - X [X] [X]

637140 - [X] [X]

Diaphragm Material
Ball Material

EXAMPLE: Model 66605J-3EB
Fluid Section Service Kit is 637140-EB

PERFORMANCE

Air Inlet Pressure Range 20 - 100 PSI (1.4 - 6.9 bar)
 Maximum Material Inlet Pressure 10 PSI (0.69 bar)
 Fluid Pressure Range 20 - 100 PSI (1.4 - 6.9 bar)
 Maximum Flow Rate (flooded inlet) . (ball check) 13 g.p.m. (49.2 l.p.m.)
 (duckbill) 10 g.p.m. (37.9 l.p.m.)
 Maximum Particle Size (ball check) 3/32" dia. (2.4 mm)
 (duckbill) fibers
 Maximum Temperature Limits
 Polypropylene 35° to 150°F (2° to 66°C)
 Groundable Acetal .. 10° to 180°F (-12° to 82°C)
 Kynar (PVDF) 10° to 200°F (-12° to 93°C)
 Displacement / Cycle @ 100 p.s.i. . (ball check) 0.040 gal (0.15 l)
 (duckbill) 0.032 gal (0.12 l)
 Noise Level @ 70 p.s.i. - 60 c.p.m.^① 71.1 db(A)^②

Notes:

- ① Tested with 66972 muffler installed.
- ② The pump sound pressure level has been updated to an Equivalent Continuous Sound Level (L_{Aeq}) to meet the intent of ANSI S1. 13-1971, CAGI-PNEUROP S5.1 using four microphone locations.
- ③ 666056-XXX models are constructed of a groundable acetal. The material's conductivity allows it to be connected to a suitable ground.

ACCESSORIES:

66073-1 Air Line Connection Kit
 93092 Exhaust Cover*
 93107 Gasket*
 93110 Muffler*

* External muffler for piped exhaust applications.

PERFORMANCE CURVES

66605X-XXX 1/2" NON-METALLIC DIAPHRAGM PUMP

