

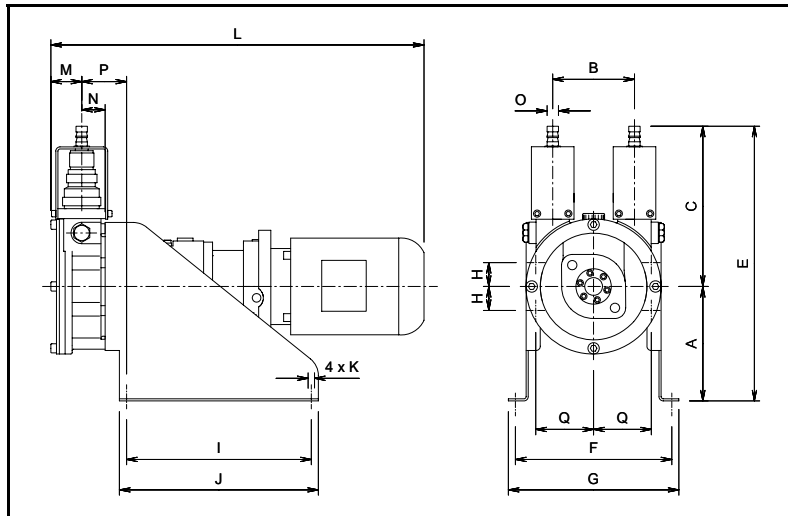


Model: ALH 10

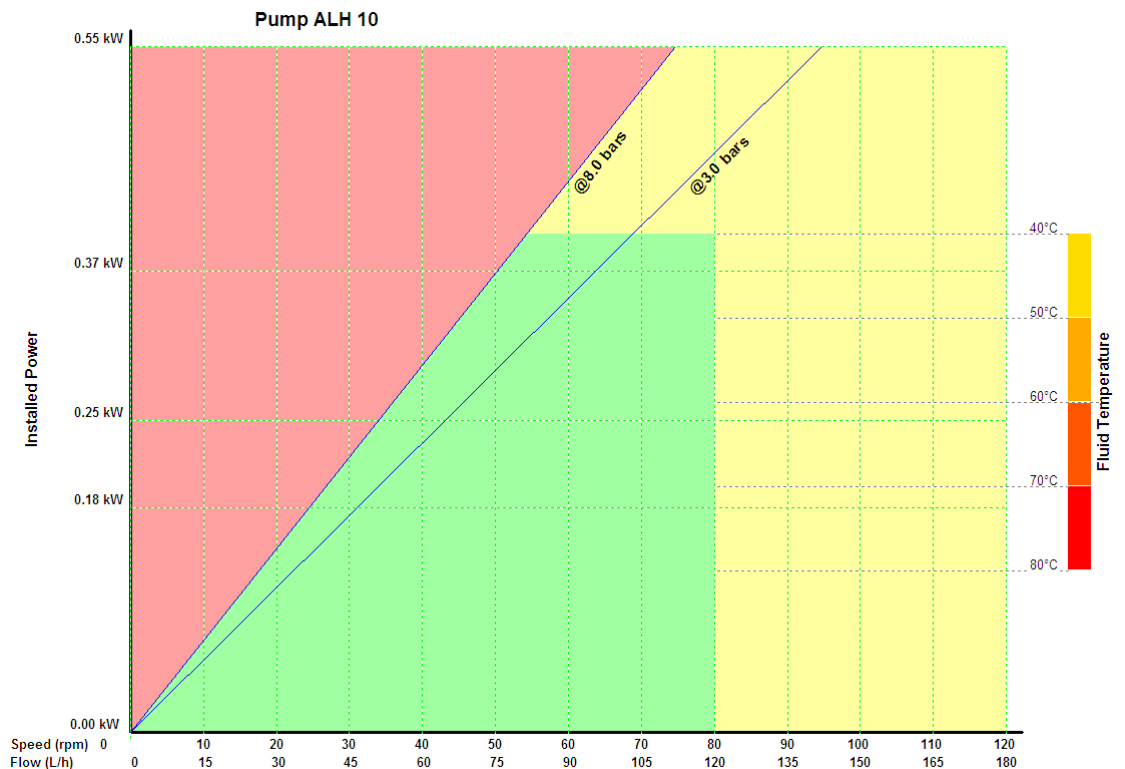
Technical Datasheet

24.10.2008

Weight 30.0Kg	
L.Hose 570.0 mm	
D.Hose 10.0 mm	
Dim.	mm
A	161.00
B	115.00
C	226.50
D	-
E	387.50
F	220.00
G	240.00
H	33.50
I	260.00
J	280.00
K	9.00
L	-
M	46.50
N	34.50
O	Barb Insert $\phi 16$
P	64.50
Q	81.25



- Continuous
- *Intermittent
- Forbidden



ALBIN PUMP SAS
 ZAC de Fontgrave
 F-26740 Montboucher
 Tél: + 33 4 75 90 92 92
 Fax: + 33 4 75 90 92 40
www.albinpump.fr
www.albinpump.com

*Intermittent use is 2 hours max. continuous duty followed by 1 hour stop